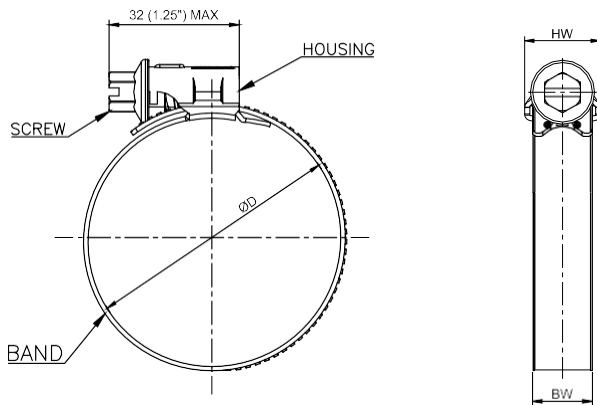


# Formed Thread Worm Drive Clamp (Two Way)



Ref. standard: DIN 3017 - 1

- Economical version of serrated type clamps.
- Recommended use on relatively hard hose.
- Better circular grip, avoids seepage.



Example for Ordering Code

**FD M01 B11 J000**

Design Type

Jolly Size

Material Grade

Band width (BW) & Housing width (HW)

\* Jolly size ordering codes vary as per SAE & IS/BS sizes.

#### Short Description

Jolly Two Way Serrated Clamp is designed as per German standard DIN 3017-01. Designed with one piece housing assembly & threads on both side of band surface, this clamp is most suitable for applications with high mechanical load. Serrations on inner surface ensures better circular grip hence avoid seepage. This clamp is more suitable for relatively hard hoses

#### Jolly sizes

Jolly Size	Min Dia (in)	Max Dia (in)	Min Dia (mm)	Max Dia (mm)
J000	0.354	0.472	9	12
J00M	0.433	0.630	11	16
J00	0.512	0.787	13	20
J0	0.630	0.866	16	22
J100S	0.709	0.984	18	25
J0X	0.787	1.102	20	28
J1A	0.866	1.181	22	30
J137S	0.984	1.378	25	35
J1	1.181	1.496	30	38
J1X	1.181	1.575	30	40
J45A	1.378	1.772	35	45
J2A	1.496	1.969	38	50
J2	1.654	2.165	42	55
J2X	1.772	2.362	45	60
J3	1.969	2.756	50	70
J75A	2.165	2.953	55	75
J3X	2.362	3.150	60	80
J4	2.756	3.543	70	90
J4X	3.150	3.937	80	100
J110A	3.543	4.331	90	110
J5	3.740	4.528	95	115
J5X	3.937	4.724	100	120
J6	4.331	5.118	110	130
J575 S	4.921	5.709	125	145
J6X	5.512	6.299	140	160

Additional sizes are available as per enquiry.

#### Design Type Ordering Code : FD

DN equivalent	Ordering Code	Material Grade Option
W4	M01	All parts : SS 304
W3	M09	All parts : SS 430
W5	M06	All parts : SS 316
W2	M21	Band & Housing : SS 430 Screw : PCS
	M22	Band & Housing : SS 301 Screw : SS 304

Ordering Code	Band Width (BW)
B11	Band : 13 mm max.
B15	Band : 9 mm max.

Note: Clamps below dia 22 mm can be made in B11 ordering code.

#### Area of Application

Automotive • Filter Applications • Industrial Applications • Domestic Applications  
Electrical Applications

We reserve the right to make technical & dimensional modifications within Standard specification .

UPC code made available on request.

Packing Specification available.