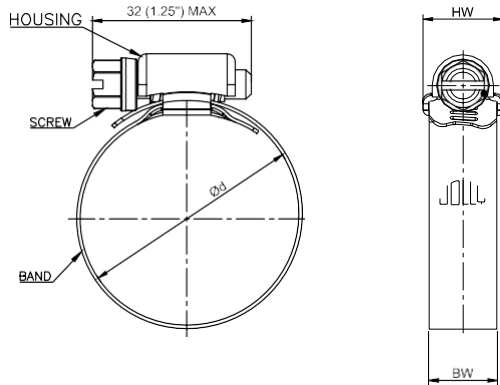


Stainless Steel Worm Drive Clamp



Ref. standard: SAE J1508 Type "F"

- Non- throbbing surfaces.
- Clean punched perforations.
- Application ranging from domestic to heavy industries.



Example for Ordering Code

WP

M01

B03

06

Design Type

Jolly Size

Material Grade

Band width (BW) & Housing width (HW)

* Jolly size ordering codes vary as per SAE & IS/BS sizes.

Short Description

With simple three piece construction Jolly Stainless steel Worm Drive Clamp is suitable for medium duty non-throbbing surfaces. This clamp is designed as per SAE standard & available in a wide range of bandwidth options. Wide diameter range & various material grade combination to best suit the application makes it widely used clamp in all area applications ranging from Domestic to Heavy Industry.

Design Type Ordering Code : WP

| Ordering Code | Material Grade Option |
|---------------|--|
| M01 | All parts : SS 304 |
| M02 | Band & Housing : SS 304 Screw : Plated Carbon Steel |
| M03 | Band & Housing : SS 304 Screw : SS 410 |
| M04 | Band & Housing : SS 201 / 202 Screw:SS 304 |
| M06 | All parts : SS 316 |
| M07 | Band & Housing : SS 201 / 202 Screw : Plated Carbon Steel |
| M14 | Band & Housing : SS 201 / 202 Screw : SS 410 |
| M18 | Band : SS 202 Housing : SS 201 Screw : Plated Carbon Steel |
| M22 | Band & Housing : SS 301 Screw : SS 304 |
| M23 | Band & Housing : SS 301 Screw : SS 410 |
| M24 | Band & Housing : SS 301 Screw : PCS |

Area of Application

Automotive • Filter • Industrial • Domestic • Electrical

* Jolly size ordering codes vary as per SAE & IS/BS sizes.

Jolly sizes as per IS/BS Standard

| Jolly Size Ordering Code | IS / BS Sizes | Min Dia (in) | Max Dia (in) | Min Dia (mm) | Max Dia (mm) |
|--------------------------|---------------|--------------|--------------|--------------|--------------|
| J000 | 12 | 0.354 | 0.472 | 9 | 12 |
| J00M | 16 | 0.433 | 0.630 | 11 | 16 |
| J00 | 20 | 0.512 | 0.787 | 13 | 20 |
| J0 | 22 | 0.630 | 0.866 | 16 | 22 |
| J100S | 25 | 0.709 | 0.984 | 18 | 25 |
| J0X | 28 | 0.787 | 1.102 | 20 | 28 |
| J1A | 30 | 0.866 | 1.181 | 22 | 30 |
| J137S | 35 | 0.984 | 1.378 | 25 | 35 |
| J1 | 38 | 1.181 | 1.496 | 30 | 38 |
| J1X | 40 | 1.181 | 1.575 | 30 | 40 |
| J45A | 45 | 1.378 | 1.772 | 35 | 45 |
| J2A | 50 | 1.496 | 1.969 | 38 | 50 |
| J2 | 55 | 1.654 | 2.165 | 42 | 55 |
| J2X | 60 | 1.772 | 2.362 | 45 | 60 |
| J65A | 65 | 1.772 | 2.559 | 45 | 65 |
| J3 | 70 | 1.969 | 2.756 | 50 | 70 |
| J75A | 75 | 2.165 | 2.953 | 55 | 75 |
| J3X | 80 | 2.362 | 3.150 | 60 | 80 |
| J4 | 90 | 2.756 | 3.543 | 70 | 90 |
| J4X | 100 | 3.150 | 3.937 | 80 | 100 |
| J110A | 110 | 3.543 | 4.331 | 90 | 110 |
| J5 | 115 | 3.740 | 4.528 | 95 | 115 |
| J5X | 120 | 3.937 | 4.724 | 100 | 120 |
| J6 | 130 | 4.331 | 5.118 | 110 | 130 |
| J575 S | 145 | 4.921 | 5.709 | 125 | 145 |
| J6X | 160 | 5.512 | 6.299 | 140 | 160 |

Additional sizes are available as per enquiry.

Size J00M to J1 not available in 16mm band width.

Jolly sizes equivalent to SAE Standard

| Jolly Size Ordering Code | SAE Sizes | Min Dia (in) | Max Dia (in) | Min Dia (mm) | Max Dia (mm) |
|--------------------------|-----------|--------------|--------------|--------------|--------------|
| 06 | 06 | 7/16 | 25/32 | 11.2 | 19.8 |
| 08 | 08 | 7/16 | 1 | 11 | 25 |
| 10 | 10 | 1/2 | 1 1/16 | 13 | 27 |
| 12 | 12 | 1/2 | 1 1/4 | 13 | 32 |
| 16 | 16 | 11/16 | 1 1/2 | 18 | 38 |
| 20 | 20 | 3/4 | 1 3/4 | 19 | 44 |
| 24 | 24 | 1 | 2 | 25 | 51 |
| 28 | 28 | 1 1/4 | 2 1/4 | 32 | 57 |
| 32 | 32 | 1 1/2 | 2 1/2 | 38 | 63 |
| 36 | 36 | 1 3/4 | 2 3/4 | 44 | 70 |
| 40 | 40 | 2 | 3 | 51 | 76 |
| 44 | 44 | 2 1/4 | 3 1/4 | 57 | 82 |
| 48 | 48 | 2 1/2 | 3 1/2 | 64 | 89 |
| 52 | 52 | 2 3/4 | 3 3/4 | 70 | 95 |
| 56 | 56 | 3 | 4 | 76 | 101 |
| 60 | 60 | 3 1/4 | 4 1/4 | 83 | 108 |
| 64 | 64 | 2 1/2 | 4 1/2 | 64 | 114 |
| 72 | 72 | 3 | 5 | 76 | 127 |
| 80 | 80 | 3 1/2 | 5 1/2 | 89 | 140 |
| 88 | 88 | 4 | 6 | 102 | 152 |
| 96 | 96 | 4 1/2 | 6 1/2 | 114 | 165 |
| 104 | 104 | 5 | 7 | 127 | 178 |

Additional sizes are available as per enquiry.

Size SAE 06 to SAE 16 not available in 16mm band width.

| Ordering Code | Band (BW) & Housing (HW) Width Options |
|---------------|--|
| B01 | Band : 12.7 mm (0.5") Housing : 15.5 mm (0.61") |
| B02 | Band : 14 mm (0.55") Housing : 16.5 mm (0.65") |
| B03 | Band : 16 mm (0.63") Housing : 18.5 mm (0.73") |
| B15 | Band : 9 mm Housing : 12.5 mm |

We reserve the right to make technical & dimensional modifications within Standard specification .

UPC code made available on request.

Packing Specification available.