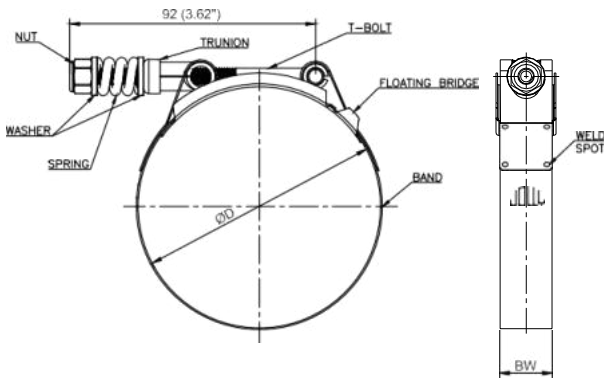


# Spring-Loaded T-Bolt Clamp

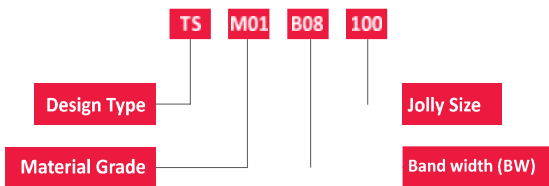


**Ref. standard: SAE J1508 Type "SLTB"**

- Constant band tension.
- Spring mechanism compensates for thermal variations.



Example for Ordering Code



**Short Description**

Jolly Spring Loaded T-Bolt Clamp is designed as per SAE standard for High Strength constant Tension applications. Constant Tension spring construction compensates for Pressure & Temperature variation in hose line eliminating chances of loosening of clamp's grip on hose & avoid seepage. Availability of floating bridge construction ensures guided tightening of clamp which prevents hose puckering & subsequent seepage. Self-locking nut configuration prevents loosening of clamp due heavy vibrations. This clamp can be made available in various material grade combination to best suit customer application.

**Design Type Ordering Code : TS**

Ordering Code	Material Grade Option
<b>M02</b>	Band & Trunion : SS 301 / 304
	T-Bolt, Nut & Spring : Plated Carbon Steel
	Wrapper : SS 304
<b>M05</b>	Band : SS 201 / 202
	T-Bolt, Trunion, Nut & Spring : Plated Carbon Steel
<b>M15</b>	Band, T-Bolt, Trunion : SS 301 / 304
	Nut & Spring : Plated Carbon Steel
<b>M17</b>	Band : SS 301 / 304
	T-Bolt, Trunion, Nut & Spring : Plated Carbon Steel

**Note: Helical Spring is generally made in high carbon steel unless special requirement is specified.**

Ordering Code	Band (BW) & Bridge (HW) Width Options
<b>B08</b>	Band : 19 mm (0.75")
	Floating Bridge : 22.5 mm (0.89")

**Area of Application**

Automotive • Filter Applications • Genset Applications • Oil & Gas Applications  
Earth Moving Equipment

**Jolly sizes as per SAE Standard**

Jolly Size Ordering Code	SAE Sizes	Min Dia (in)	Max Dia (in)	Min Dia (mm)	Max Dia (mm)
28	28	1 3/4	2	44.5	50.8
32	32	1 7/8	2 3/16	47.8	55.6
34	34	1 15/16	2 1/4	49.2	57.2
36	36	2	2 5/16	50.8	58.7
38	38	2 1/16	2 3/8	52.4	60.3
40	40	2 1/8	2 7/16	54.1	62
42	42	2 3/16	2 1/2	55.6	63.5
44	44	2 1/4	2 9/16	57.2	65
48	48	2 3/8	2 11/16	60.5	68.3
52	52	2 1/2	2 13/16	63.5	71.4
54	54	2 9/16	2 7/8	65.1	73.0
56	56	2 5/8	2 15/16	66.8	74.7
60	60	2 3/4	3 1/16	69.9	77.7
64	64	2 7/8	3 3/16	73.2	81
68	68	3	3 5/16	76.2	84.1
72	72	3 1/8	3 7/16	79.5	87.4
74	72	3 1/8	3 7/16	79.5	87.4
76	76	3 1/4	3 9/16	82.6	90.4
78	78	3 5/16	3 5/8	84.1	92.1
80	80	3 3/8	3 11/16	85.9	93.7
84	84	3 1/2	3 13/16	88.9	96.8
88	88	3 5/8	3 15/16	92.2	100.1
92	92	3 3/4	4 1/16	95.3	103.1
96	96	3 7/8	4 3/16	98.4	106.4
100	100	4	4 5/16	101.6	109.5
104	104	4 1/8	4 7/16	104.8	112.7
108	108	4 1/4	4 9/16	108	115.8
110	110	4 5/16	4 5/8	109.5	117.5
112	112	4 3/8	4 11/16	111.1	119.1
116	116	4 1/2	4 13/16	114.3	122.2
124	124	4 3/4	5 1/16	120.7	128.5
132	132	5	5 5/16	127	134.9
134	134	5 1/16	5 3/8	128.6	136.5
140	140	5 1/4	5 9/16	133.4	141.2
142	142	5 5/16	5 5/8	134.9	142.9
144	144	5 3/8	5 11/16	136.5	144.5
146	146	5 7/16	5 3/4	138.1	146.1
148	148	5 1/2	5 13/16	139.7	147.6
156	156	5 3/4	6 1/16	146.1	153.9
164	164	6	6 5/16	152.4	160.3
168	168	6 1/8	6 7/16	155.6	163.5
172	172	6 1/4	6 9/16	158.8	166.6
174	174	6 5/16	6 5/8	160.3	168.3
180	180	6 1/2	6 13/16	165.1	173
188	188	6 3/4	7 1/16	171.5	179.3
196	196	7	7 5/16	177.8	185.7
204	204	7 1/4	7 9/16	184.2	192
212	212	7 1/2	7 13/16	190.5	198.4
220	220	7 3/4	8 1/16	196.9	204.7
228	228	8	8 5/16	203.2	211.1
236	236	8 1/4	8 9/16	209.6	217.4
244	244	8 1/2	8 13/16	215.9	223.8

Additional sizes are available as per enquiry.

We reserve the right to make technical & dimensional modifications within Standard specification .  
UPC code made available on request.  
Packing Specification available.