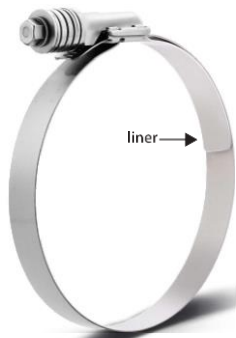


Constant Tension Heavy Duty Worm Drive Clamp



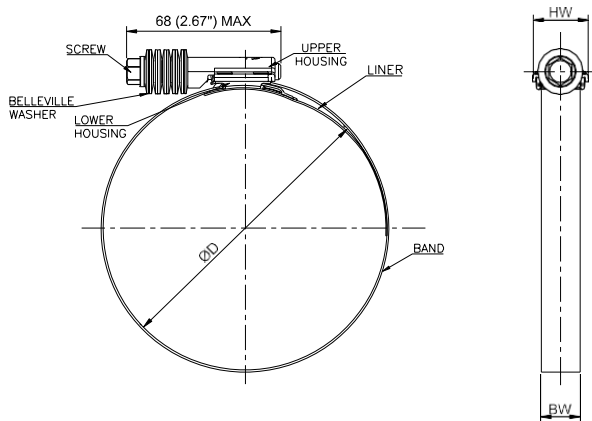
Ref. standard: SAE J1508 Type "SLHD"

- Belleville washer (design/construction).
- Internal Liner protects soft hose from hose biting.
- Maintains constant tension on band.

Jolly sizes as per SAE Standard

Jolly Size Ordering Code	SAE Sizes	Closed Dia (in)	Open Dia (in)	Closed Dia (mm)	Open Dia (mm)
212	212	1.250	2.125	31.75	53.980
262	262	1.750	2.625	44.45	66.680
312	312	2.250	3.125	57.15	79.380
362	362	2.750	3.625	69.85	92.080
412	412	3.250	4.125	82.55	104.780
462	462	3.750	4.625	95.25	117.480
512	512	4.250	5.125	107.95	130.180
562	562	4.750	5.625	120.65	142.880
612	612	5.250	6.125	133.35	155.600
662	662	5.750	6.625	146.05	168.280
712	712	6.250	7.125	158.75	180.980
762	762	6.750	7.625	171.45	193.680
812	812	7.250	8.125	184.15	206.380
862	862	7.750	8.625	196.85	219.080
912	912	8.250	9.125	209.55	231.780

Additional sizes are available as per enquiry.



Example for Ordering Code

WTL M04 B03 212

Design Type

Jolly Size

Material Grade

Band width (BW) & Housing width (HW)

Short Description

Jolly constant Tension Heavy Duty Worm Drive Clamp is designed as per SAE standard for Heavy duty applications where fluctuation in hose diameter due to thermal & Pressure variation is key concern. Constant Tension Belleville Washer construction compensates for Pressure & Temperature variation in hose line eliminating chances of loosening of clamps grip on hose & avoid seepage. Heavy Duty Two-Piece housing construction makes it suitable for high torque applications. Liner prevents direct contact of perforations with hose which prevents hose biting at high installation torque

Design Type Ordering Code : WTL

Ordering Code	Material Grade Option
M02	Band & Housing : SS 304 Screw : Plated Carbon Steel
M03	Band & Housing : SS 304 Screw : SS 410
M06	All parts : SS 316
M23	Band & Housing : SS 301 Screw : SS 410
M24	Band & Housing : SS 301 Screw : PCS

Note: Belleville washers are generally made in SS-300 series unless special requirement specified.

Ordering Code	Band Width (BW)
B03	Band : 16 mm (5/8")
B02	Band : 14 mm (5/8")

Area of Application

Automotive • Engine Application • Cooling Systems • Marine Applications
Oil & Gas Applications

We reserve the right to make technical & dimensional modifications within Standard specification .

UPC code made available on request.

Packing Specification available.