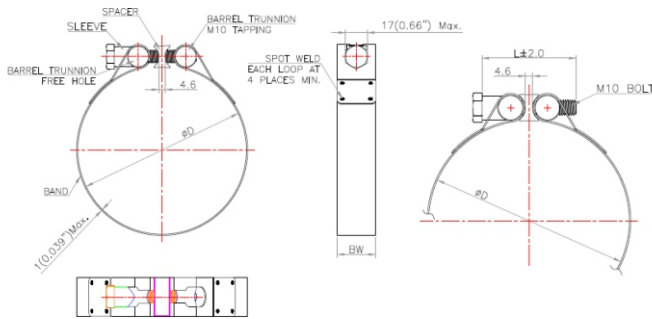


Barrel Clamp

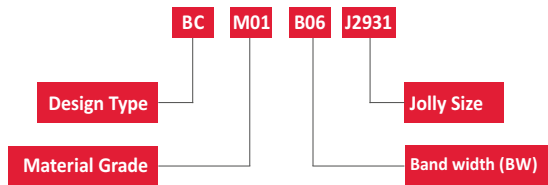


- High Torque clamp.
- Less space required compared to T bolt clamp.
- Suitable for steel pipes for Exhaust Systems.
- Simple tightening by bolt rotation.



Parts as per individual diameter and dimension can be made available.

Example for Ordering Code



Design Type Ordering Code : BC

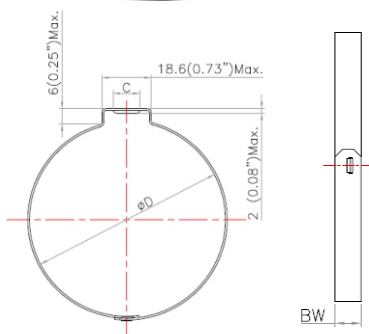
Ordering Code	Material Grade Option
M01	All Parts : SS 301 / 304
M05	Band : SS 201 / 202 Barrel & Bolt : Plated Carbon Steel
M17	Band : SS 301 / 304 Barrel & Bolt : Plated Carbon Steel

Ordering Code	Band Width (BW)
B06	Band : 20 mm max.
B14	Band : 25 mm max.

One Ear Clamp

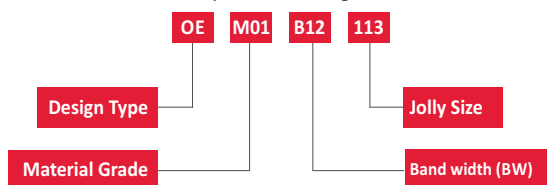


- Ref. standard: SAE J1508 Type "J"
- Economical solution for demanding applications.
 - Uniform compression for soft or hard hoses.
 - Available both in carbon & Stainless Steel.



Parts as per individual diameter and dimension can be made available.

Example for Ordering Code



Design Type Ordering Code : OE

Ordering Code	Material Grade Option
M01	SS 304
M11	Plated Carbon Steel
M19	Galvanized Steel

Ordering Code	Band Width (BW)
B12	Band : 7.2 mm (0.28")