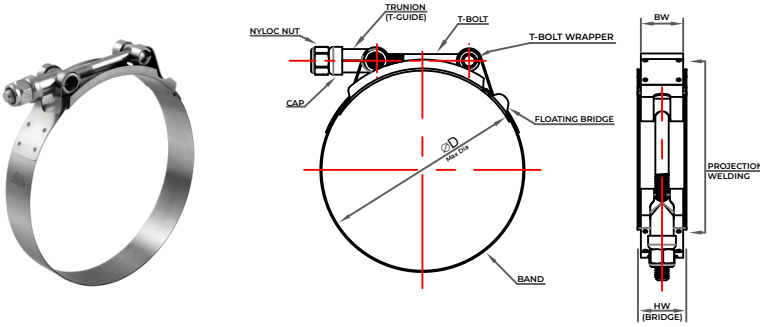


# T-Bolt Clamp with Floating Bridge



**TX-M01-B05-44**

Example for Ordering Code

- TX** → Jolly Design Code
- M01** → Material Code
- B05** → BandWidth Code (BW)
- 44** → Jolly Size

BandWidth Code	Band (BW) & Bridge options
B05	Band & Fixed bridge : 14 mm
B06	Band & Fixed bridge : 19 mm
B10	Band & Fixed bridge : 22.2 mm

Jolly Size	SAE Sizes	Max Dia (in)	Min Dia (in)	Max Dia (mm)	Min Dia (mm)
76	76	3 9/16	3 1/4	90.5	82.6
78	78	3 5/8	3 5/16	92.1	84.1
80	80	3 11/16	3 3/8	93.7	85.7
82	82	3 3/4	3 7/16	95.3	87.3
84	84	3 13/16	3 1/2	96.8	88.9
86	86	3 7/8	3 9/16	98.4	90.5
88	88	3 15/16	3 5/8	100	92.1
90	90	4	3 11/16	101.6	93.7
92	92	4 1/16	3 3/4	103.2	95.3
94	94	4 1/8	3 13/16	104.8	96.8
96	96	4 3/16	3 7/8	106.4	98.4
98	98	4 1/4	3 15/16	108	100
100	100	4 5/16	4	109.5	101.6
102	102	4 3/8	4 1/16	111.1	103.2
104	104	4 7/16	4 1/8	112.7	104.8
106	106	4 1/2	4 3/16	114.3	106.4
108	108	4 9/16	4 1/4	115.9	108
110	110	4 5/8	4 5/16	117.5	109.5
112	112	4 11/16	4 3/8	119.1	111.1
114	114	4 3/4	4 7/16	120.7	112.7
116	116	4 13/16	4 1/2	122.2	114.3
118	118	4 7/8	4 9/16	123.8	115.9
120	120	4 15/16	4 5/8	125.4	117.5
122	122	5	4 11/16	127	119.1
124	124	5 1/16	4 3/4	128.6	120.7
126	126	5 1/8	4 13/16	130.2	122.2
128	128	5 3/16	4 7/8	131.8	123.8
130	130	5 1/4	4 15/16	133.4	125.4

## Torque details

Clamp SAE size range	Recommended Installation Torque (Nm)	
	b = 14	b = 19
16- 24	5.6	8.5

Jolly Size	SAE Sizes	Max Dia (in)	Min Dia (in)	Max Dia (mm)	Min Dia (mm)
16	NA	1 8/15	1 5/13	38.6	35.1
20	NA	1 9/14	1 1/2	41.7	38.1
24	NA	1 13/16	1 5/8	46	41.4
26	NA	1 11/14	1 2/3	45.5	42.5
28	28	2	1 3/4	50.8	44.5
30	30	2 1/16	1 13/16	52.4	46
32	32	2 3/16	1 7/8	55.6	47.6
34	34	2 1/4	1 15/16	57.2	49.2
36	36	2 5/16	2	58.7	50.8
38	38	2 3/8	2 1/16	60.3	52.4
40	40	2 7/16	2 1/8	61.9	54
42	42	2 1/2	2 3/16	63.5	55.6
44	44	2 9/16	2 1/4	65.1	57.2
46	46	2 5/8	2 5/16	66.7	58.7
48	48	2 11/16	2 3/8	68.3	60.3
50	50	2 3/4	2 7/16	69.9	61.9
52	52	2 13/16	2 1/2	71.4	63.5
54	54	2 7/8	2 9/16	73	65.1
56	56	2 15/16	2 5/8	74.6	66.7
58	58	3	2 11/16	76.2	68.3
60	60	3 1/16	2 3/4	77.8	69.9
62	62	3 1/8	2 13/16	79.4	71.4
64	64	3 3/16	2 7/8	81	73
66	66	3 1/4	2 15/16	82.6	74.6
68	68	3 5/16	3	84.1	76.2
70	70	3 3/8	3 1/16	85.7	77.8
72	72	3 7/16	3 1/8	87.3	79.4
74	74	3 1/2	3 3/16	88.9	81

\*Additional sizes available as per enquiry\*

Material Code	Material Grade Option				
	Band	T-Bolt	Trunion	Nut	Wrapper
M01	SS 304	SS 304	SS 304	SS 304	SS 304
M02	SS 304	PCS	SS 304	PCS	SS 304
M05	SS 201/202	PCS	PCS	PCS	PCS
M06	SS 316	SS 316	SS 316	SS 316	SS 316
M17	SS 304	PCS	PCS	PCS	PCS

Note: Material combinations with SS 301 also available  
PCS : Plated Carbon Steel

Band Width	Band Thickness	T-Bolt Size
14 mm	0.60 mm	M5
19 / 19.2 mm	0.65 / 0.60 mm	1/4"
22.2 mm	1 mm	5/16"