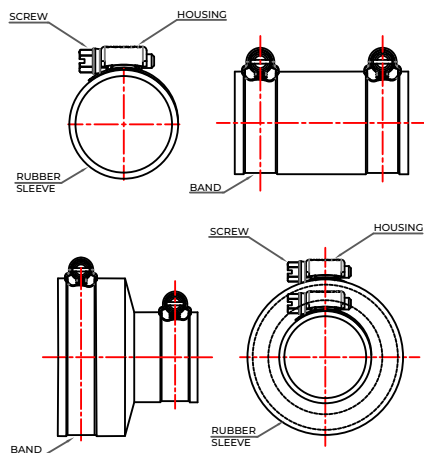


# Flexible Rubber Coupling



## Design Type Ordering Code

Material Code	Material Grade Option
M01	Band / Housing & Screw : SS 304 Rubber : Neoprene / EPDM
M22	Band & Housing : SS 301 Screw : SS 304 Rubber : Neoprene / EPDM

## Flexible Coupling (Straight)

Jolly Size	Diameter Nominal (mm)	Diameter (Inch)	Installation Torque 60 in.lb (6.8Nm)
CA M01 D50	DN50	2"	
CA M01 D75	DN75	3"	
CA M01 D100	DN100	4"	
CA M01 D125	DN125	5"	
CA M01 D150	DN150	6"	
CA M01 D200	DN200	8"	

## Flexible Coupling (Reducer)

Jolly Size	Diameter Nominal (mm)	Diameter (Inch)	Installation Torque 60 in.lb (6.8Nm)
CA M01 D5040	D75*40	2"1.5"	
CA M01 D7550	DN75*50	3"-2"	
CA M01 D10050	DN100*50	4"-2 "	
CA M01 D10075	DN100*75	4"-3"	
CA M01 D125100	DN125*100	5"-4"	
CA M01 D150100	DN150*100	6"-4"	
CA M01 D150125	DN150*125	6"-5"	
CA M01 D200150	DN200*150	8"-6"	