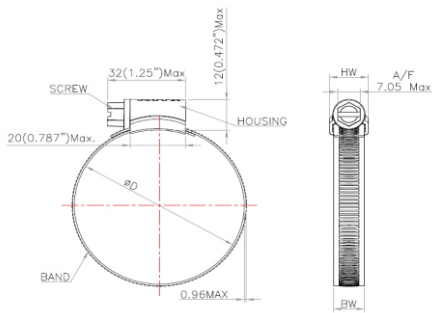


Design Type Ordering Code : **WN**

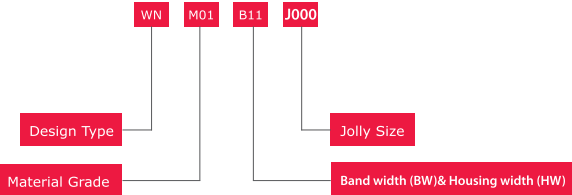
DIN equivalent	Ordering Code	Material Grade Options	
W4	M01	All parts	: SS 301 / 304
W1	M11	All parts	: Plated Carbon Steel
W3	M09	All parts	: SS 430
W1	M19	All parts	: Galvanized Steel

Ordering Code	Band (BW) & Housing (HW) Width Options
B11	Band : 12.5mm max. (0.50") Housing : 16mm max. (0.63")
B15	Band : 9 mm Housing : 12.5mm max.

Note: Clamps below dia 22mm are made as per B15 ordering code.



Example for Ordering Code



* Jolly size ordering codes vary as per SAE & IS/BS sizes.

Jolly sizes as per IS/BS Standard

Jolly Size	IS / BS	Min Dia (in)	Max Dia (in)	Min Dia (mm)	Max Dia (mm)
J000	12	0.354	0.472	9	12
J00M	16	0.433	0.630	11	16
J00	20	0.512	0.787	13	20
J0	22	0.630	0.866	16	22
J100S	25	0.709	0.984	18	25
J0X	28	0.787	1.102	20	28
J1A	30	0.866	1.181	22	30
J137S	35	0.984	1.378	25	35
J1	38	1.181	1.496	30	38
J1X	40	1.181	1.575	30	40
J45A	45	1.378	1.772	35	45
J2A	50	1.496	1.969	38	50
J2	55	1.654	2.165	42	55
J2X	60	1.772	2.362	45	60
J3	70	1.969	2.756	50	70
J3X	80	2.362	3.150	60	80
J75A	75	2.165	2.953	55	75
J4	90	2.756	3.543	70	90
J4X	100	3.150	3.937	80	100
J110A	110	3.543	4.331	90	110
J5	115	3.740	4.528	95	115
J5X	120	3.937	4.724	100	120
J6	130	4.331	5.118	110	130
J575 S	145	4.921	5.709	125	145
J6X	160	5.512	6.299	140	160

Additional sizes are available as per enquiry.

We reserve the right to make technical modifications.

UPC code made available on request.

Packing Specification available.