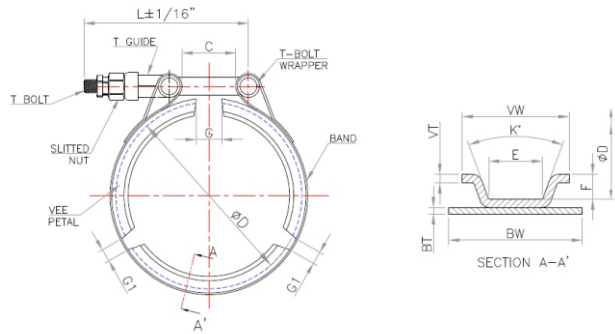
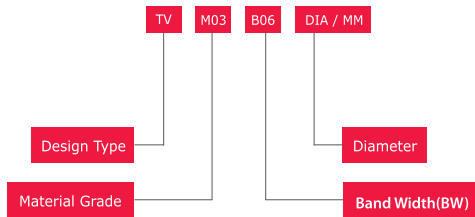


Design Type Ordering Code : **TV**



Example for Ordering Code



Ordering Code	Material Grade Options	
M01	Band & Petal	: SS 301 / 304
	Trunion, T-Bolt & Nut	: SS 301 / 304
M03	Band , Petal, Trunion & Nut	: SS 301 / 304
	T-Bolt	: SS 410
M12	Band & Petal	: SS 201 / 202
	Trunion, T-Bolt & Nut	: Plated Carbon Steel
M17	Band & Petal	: SS 301 / 304
	Trunion, T-Bolt & Nut	: Plated Carbon Steel

Ordering Code	Band (BW) Width Options
B06	Band : 19mm (0.75")
B10	Band : 22mm (0.87")
B14	Band : 25 mm (1.00 ")

* Band thickness, Diameter, Petal Geometry & Petal Orientation is customized as per requirement.

We reserve the right to make technical modifications.

UPC code made available on request.

Packing Specification available.