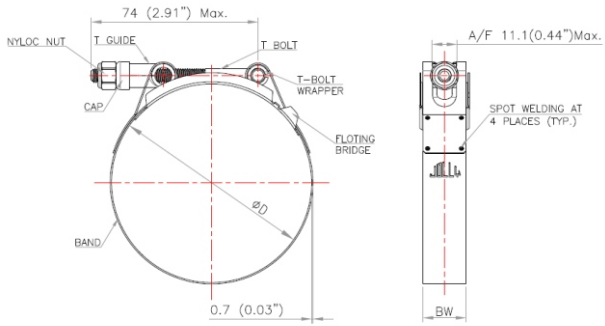


# Design Type Ordering Code : TL



Example for Ordering Code

TL M01 B05 52



Ordering Code	Material Grade Options
<b>M01</b>	All parts : SS 301 / 304
<b>M05</b>	Band : SS 201 / 202 T-Bolt, Trunion & Nut : Plated Carbon Steel
<b>M06</b>	Band : SS 316 Trunion, T-Bolt & Nut : SS 316
<b>M10</b>	Band, T-Bolt, Trunion : SS 201 / 202 Nut : Plated Carbon Steel
<b>M15</b>	Band, Trunion T-Bolt & Nut : Plated Carbon Steel
<b>M17</b>	Band : SS 301/304 Trunion, T-Bolt & Nut : Plated Carbon Steel

Ordering Code	Band (BW) Width Options
<b>B05</b>	Band & Fix Bridge : 14mm (0.55")
<b>B06</b>	Band & Fix Bridge : 19mm (0.75")
<b>B14</b>	Band & Fix Bridge : 25mm

## Size Chart Continued:

Jolly Size Ordering code	SAE	Min Dia (in)	Max Dia (in)	Min Dia (mm)	Max Dia (mm)
140	140	5 1/4	5 9/16	133.4	141.2
148	148	5 1/2	5 13/16	139.7	147.6
156	156	5 3/4	6 1/16	146.1	153.9
164	164	6	6 5/16	152.4	160.3
172	172	6 1/4	6 9/16	158.8	166.6
180	18	6 1/2	6 13/16	165.1	173
188	188	6 3/4	7 1/16	171.5	179.3
196	196	7	7 5/16	177.8	185.7
204	204	7 1/14	7 9/16	184.2	192
212	212	7 1/2	7 13/16	190.5	198.4
220	220	7 3/4	8 1/16	196.9	204.7
228	228	8	8 5/16	203.2	211.1
236	236	8 1/4	8 9/16	209.6	217.4
244	244	8 1/2	8 13/16	215.9	223.8

Additional sizes are available as per enquiry.

## Size Chart:

Jolly Size Ordering code	SAE izes	Min Dia (in)	Max Dia (in)	Min Dia (mm)	Max Dia (mm)
16		1 3/8	1 9/16	35.1	38.6
20	-	1 1/2	1 5/8	38.1	41.7
24	-	1 5/8	1 7/8	41.4	46
28	28	1 3/4	2	44.5	50.8
32	32	1 7/8	2 3/16	47.8	55.6
36	36	2	2 5/16	50.8	58.7
40	40	2 1/8	2 7/16	54.1	62
44	44	2 1/4	2 9/16	57.2	65
48	48	2 3/8	2 11/16	60.5	68.3
52	52	2 1/2	2 13/16	63.5	71.4
56	56	2 5/8	2 15/16	66.8	74.7
60	60	2 3/4	3 1/16	69.9	77.7
64	64	2 7/8	3 3/16	73.2	81
68	68	3	3 5/16	76.2	84.1
72	72	3 1/8	3 7/16	79.5	87.4
76	76	3 1/4	3 9/16	82.6	90.4
80	80	3 3/8	3 11/16	85.9	93.7
84	84	3 1/2	3 13/16	88.9	96.8
88	88	3 5/8	3 15/16	92.2	100.1
92	92	3 3/4	4 1/16	95.3	103.1
100	100	4	4 5/16	101.6	109.5
108	108	4 1/4	4 9/16	108	115.8
116	116	4 1/2	4 13/16	114.3	122.2
124	124	4 3/4	5 1/16	120.7	128.5
132	132	5	5 5/16	127	134.9

## T-Bolt Specification

Band		T-Bolt Size
Width	Thickness	
14mm	0.65mm	M5
19mm	0.65mm	1/4"
22.2mm	0.65mm	5/16" / M8
22.2mm	1.2mm	5/16" / M8

T-Bolt In material SS 304, SS 410, 15B25/1541

We reserve the right to make technical modifications.

UPC code made available on request.

Packing Specification available.