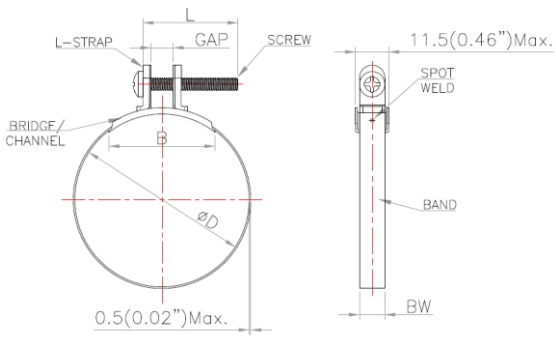


## Design Type Ordering Code : **sc**



Example for Ordering Code

**SC** **M11** **B12** **23**

Design Type

Jolly Size

Material Grade

Band Width(BW)

| Ordering Code | Material Grade Options               |
|---------------|--------------------------------------|
| <b>M11</b>    | All parts are in plated carbon steel |

| Ordering Code | Band (BW) & Housing (HW) Width Options |
|---------------|--|
| <b>B12</b>    | Band - 7.2mm (0.28")                   |
| <b>B13</b>    | Band - 11mm (0.43")                    |

| Jolly Size | SAE | Nom Dia. (in) | Close Dia (in) | Open Dia (in) | Close Dia (mm) | Open Dia (mm) |
|------------|-----|---------------|----------------|---------------|----------------|---------------|
| <b>23</b>  | 23  | 0.62          | 0.53           | 0.72          | 13             | 18            |
| <b>25</b>  | 25  | 0.69          | 0.59           | 0.78          | 15             | 20            |
| <b>27</b>  | 27  | 0.75          | 0.66           | 0.84          | 17             | 21            |
| <b>29</b>  | 29  | 0.75          | 0.75           | 0.91          | 18             | 23            |
| <b>31</b>  | 31  | 0.88          | 0.78           | 0.97          | 20             | 25            |
| <b>33</b>  | 33  | 0.94          | 0.84           | 1.03          | 21             | 26            |
| <b>35</b>  | 35  | 1.00          | 0.91           | 1.09          | 23             | 28            |
| <b>37</b>  | 37  | 1.06          | 0.97           | 1.16          | 25             | 29            |
| <b>39</b>  | 39  | 1.12          | 1.03           | 1.22          | 26             | 31            |
| <b>41</b>  | 41  | 1.19          | 1.06           | 1.28          | 27             | 33            |
| <b>43</b>  | 43  | 1.25          | 1.12           | 1.34          | 28             | 34            |
| <b>45</b>  | 45  | 1.31          | 1.19           | 1.41          | 30             | 36            |
| <b>47</b>  | 47  | 1.38          | 1.25           | 1.47          | 32             | 37            |
| <b>49</b>  | 49  | 1.44          | 1.31           | 1.53          | 33             | 39            |
| <b>51</b>  | 51  | 1.50          | 1.38           | 1.59          | 35             | 40            |
| <b>53</b>  | 53  | 1.56          | 1.44           | 1.66          | 37             | 42            |
| <b>55</b>  | 55  | 1.62          | 1.50           | 1.72          | 30             | 44            |

**Additional sizes are available as per enquiry**

We reserve the right to make technical modifications.

UPC code made available on request.

Packing Specification available.