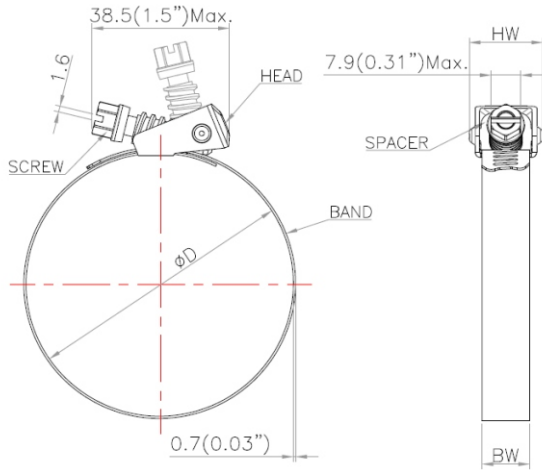


Design Type Ordering Code : **wq**



Example for Ordering Code

WQ **M04** **B04** **72**

Design Type

Jolly Size

Material Grade

Band width (BW) & Housing width (HW)

Ordering Code	Material Grade Options
M01	All parts : SS 301 / 304
M02	Band & Housing : SS 301 / 304 Screw : Plated Carbon Steel
M03	Band & Housing : SS 301 / 304 Screw : SS 410
M04	All parts : SS 201/202
M06	All parts : SS316
M07	Band & Housing : SS 201 / 202 Screw : Plated Carbon Steel
M14	Band & Housing : SS 201 / 202 Screw : SS 410

Ordering Code	Band (BW) & Housing (HW) Width Options
B04	Band : 12.7mm (0.5") Housing : 19mm (0.74")

Jolly Size Ordering code	Sizes	Min Dia (in)	Max Dia (in)	Min Dia (mm)	Max Dia (mm)
72	72	2	5	51	127
88	88	2	6	51	152
104	104	2 7/8	7	45	178
116	116	1 3/4	7 3/4	45	197
128	128	2 1/4	8 1/2	45	216
136	136	1 3/4	9	45	228
152	152	2	10	51	254
188	188	2	12 1/4	51	311
248	248	1 3/4	16	44	406
344	248	1 3/4	22	44	559

Additional sizes are available as per enquiry.

We reserve the right to make technical modifications.

UPC code made available on request.

Packing Specification available.